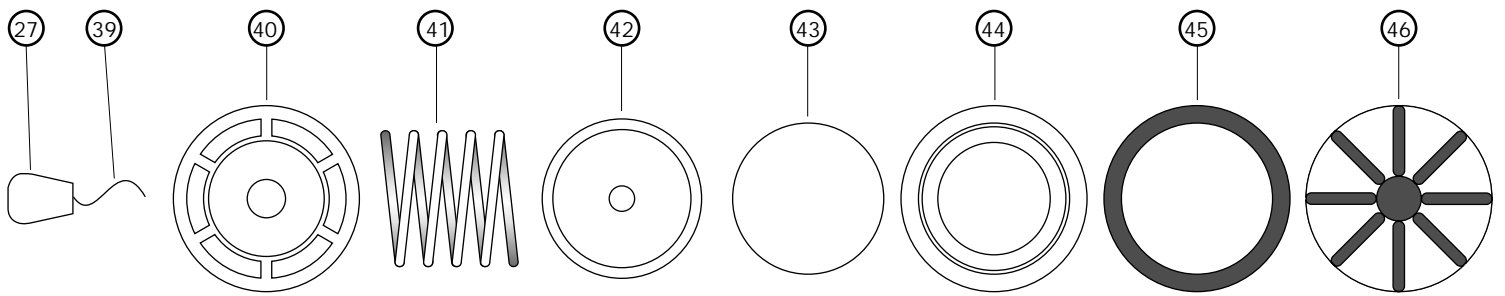
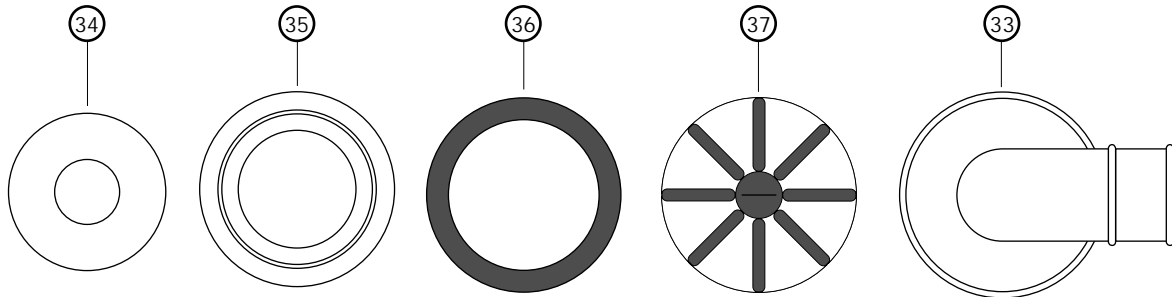


# Parts List

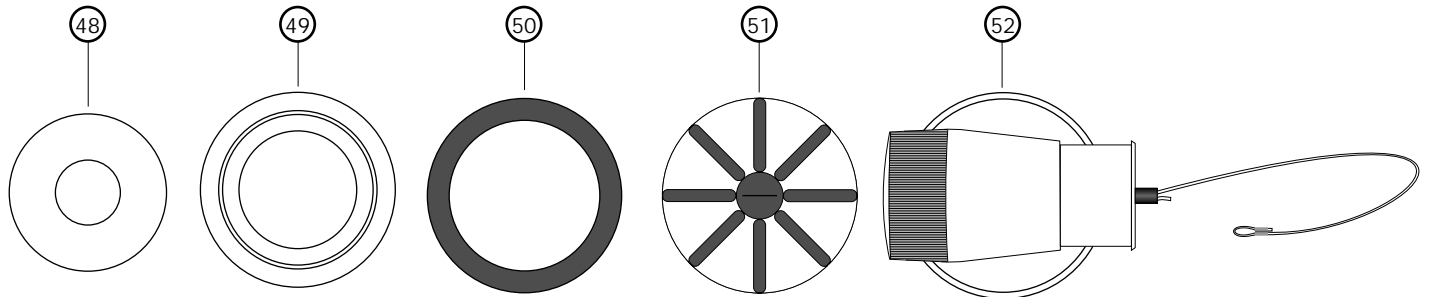
1. OUTER BAG SUNFISH SINGLE C02
2. BLADDER SUNFISH SINGLE C02
3. OUTER BAG SUNFISH TWIN C02
4. 38 GM CO2 CARTRIDGE
5. BLADDER SUNFISH TWIN C02
6. LOW PRESSURE HOSE 33"
7. 1" SPIRAL HOSE 12" LONG
8. O-RING QUICK DISC. PLUG
9. STRAP BLACK - PAN SUIT
10. O - RING STEM
11. POWER INFLATOR
12. SEAT EXHAUST
13. O - RING EXHAUST SEAT
14. BODY SLANT MOUTHPIECE
15. SPRING DEFLECTION
16. BUTTON ASSY. DELEC.
17. MOUTHPIECE RUBBER BLACK
18. QUICK DISCONNECT PLUG
19. STEM INFLATOR
20. O - RING RETAINER SM
21. O - RING RETAINER LG
22. HOUSING INFLATOR SYSTEM
23. SPRING INFLATOR
24. BUTTON INFLATOR
25. D100 DETONATOR COMPLETE
26. PULL CORD LANYARD 17"
27. PULL KNOB LANYARD
28. DETONATOR CAP NUT
29. DETONATOR WASHER SM LD
30. DETONATOR WASHER LG LD
31. DETONATOR W/O KNOB & CORD
32. ELBOW ASSY. COMP.
33. ELBOW COMPLETE
34. ELBOW SEAL RUBBER
35. ELBOW SEAT BLADDER EXTERNAL
36. ELBOW GASKET SEAT BLADDER
37. ELBOW SEAT BLADDER INTERIOR
38. OPV. ASSY W/DUMP
39. OP PULL CORD LANYARD PU 17"
40. OPV CAP
41. OPV SPRING
42. OPV RETAINER SEAL
43. OPV SEAL RUBBER
44. OPV SEAT BLADDER EXTERNAL
45. OPV GASKET BLADDER
46. OPV SEAT BLADDER INTERIOR
47. OPV W/O DUMP
48. RAPID EXHAUST SEAL RUBBER
49. RAPID EXHAUST SEAT BLADDER
50. RAPID EXHAUST GASKET SEAT BLADDER
51. RAPID EXHAUST SEAT BLADDER INTERIOR
52. RAPID EXHAUST COMPLETE



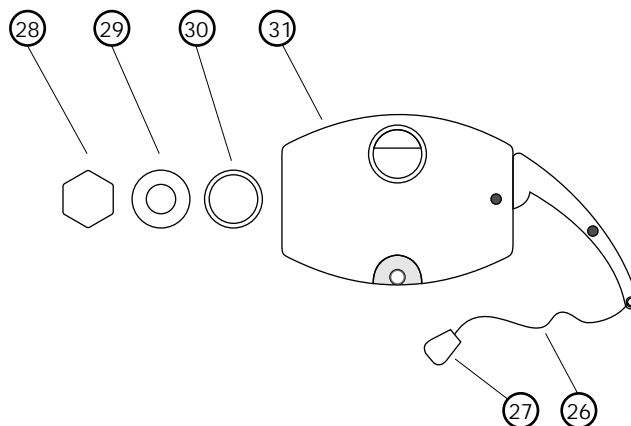
OVER PRESSURE VALVE ASSY WITH DUMP-P/N 2005.02 (REF)



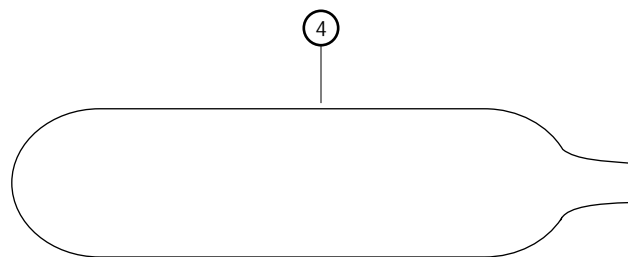
ELBOW ASSY-P/N 4006.10 (REF)



RAPID EXHAUST ASSY-P/N P4008.10 (REF)

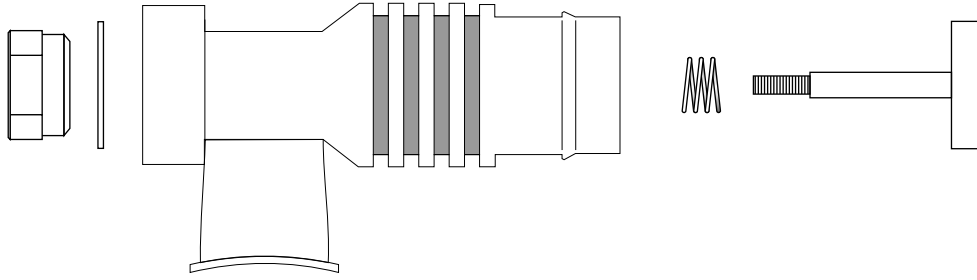


DETONATOR COMPLETE-P/N 2000 (REF)

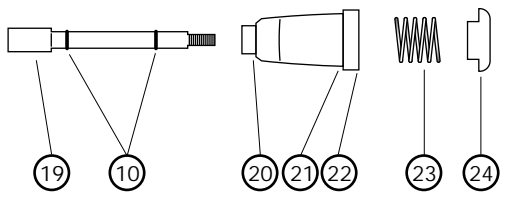
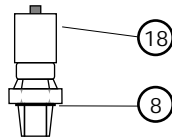
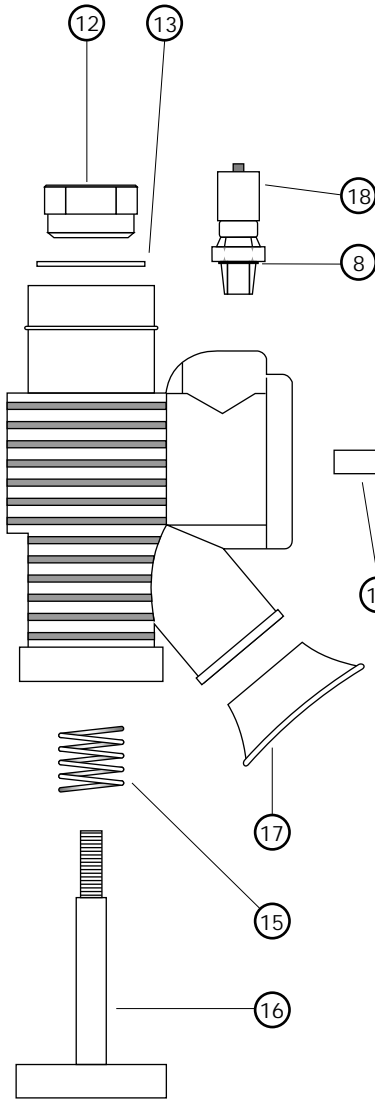


8-33 GRAM Co2 CARTRIDGE-P/N 1160 (REF)

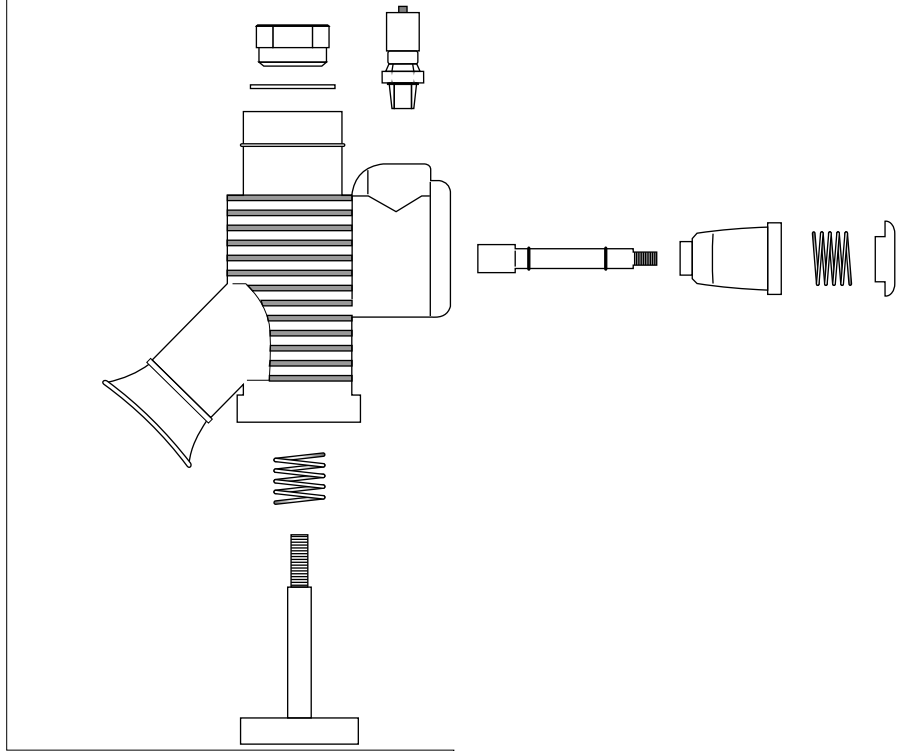
MPV-100-P/N P4012.10 (REF)



POWER INFLATOR K-STYLE ASSY-P/N P4014.10 (REF)

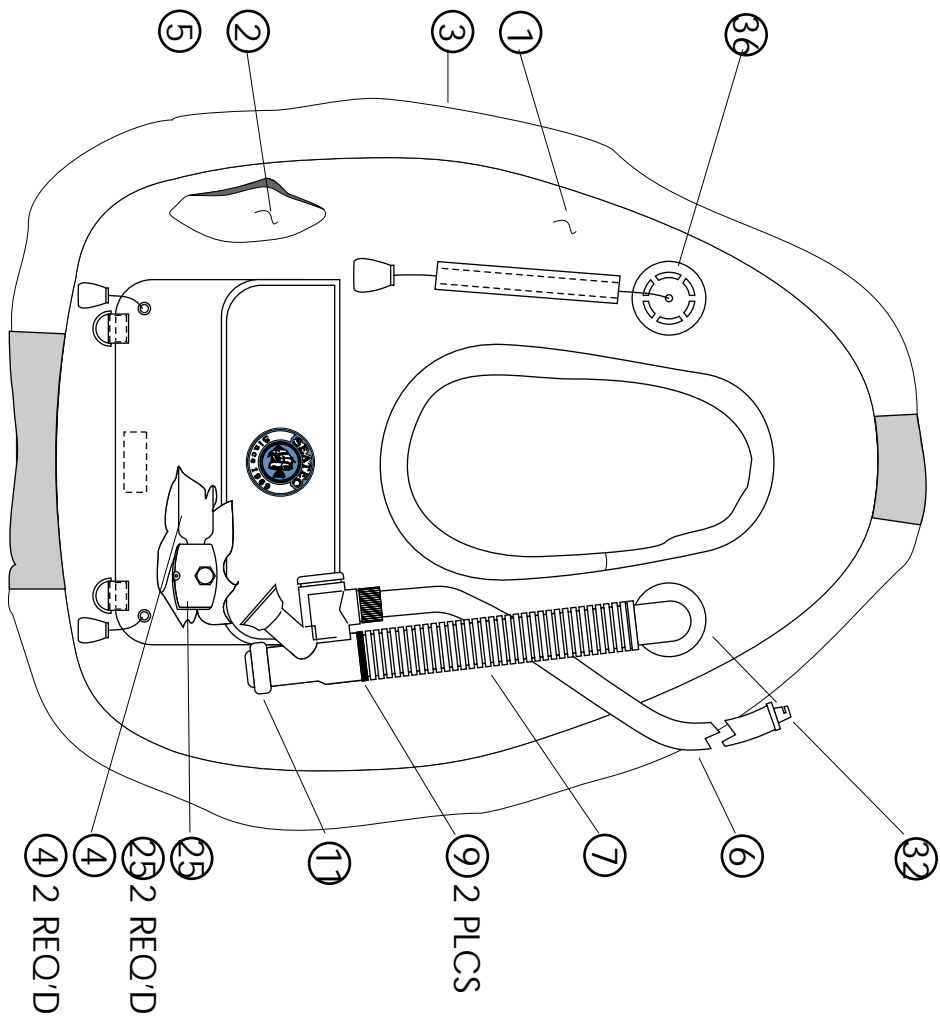
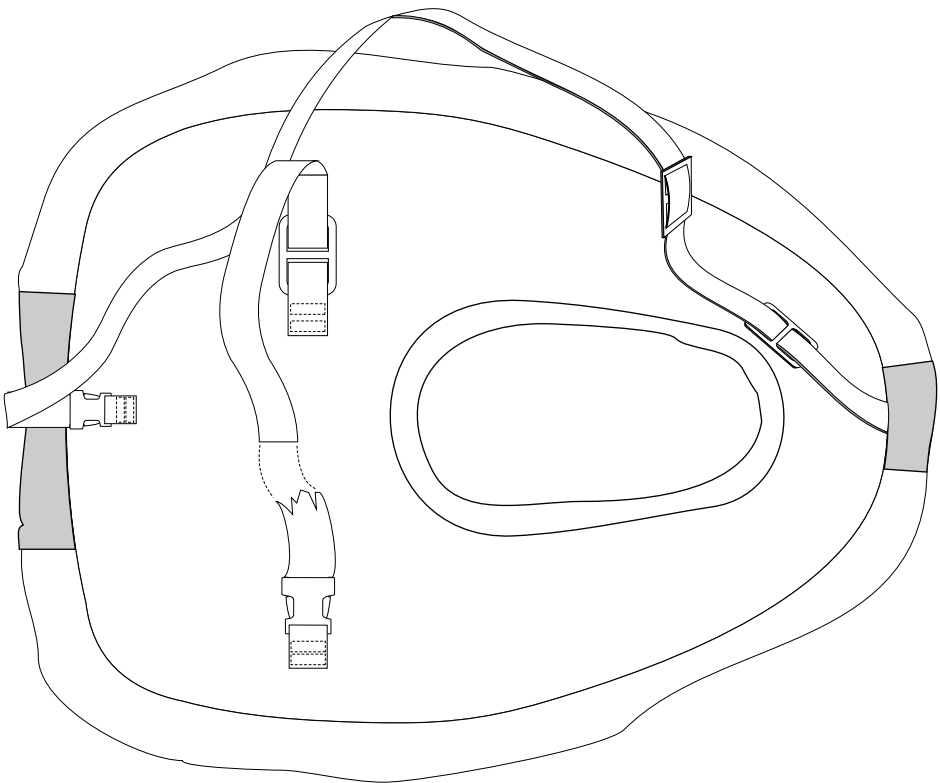


POWER INFLATOR 45-STYLE ASSY-P/N P4014.09 (REF)



# SEATEEC

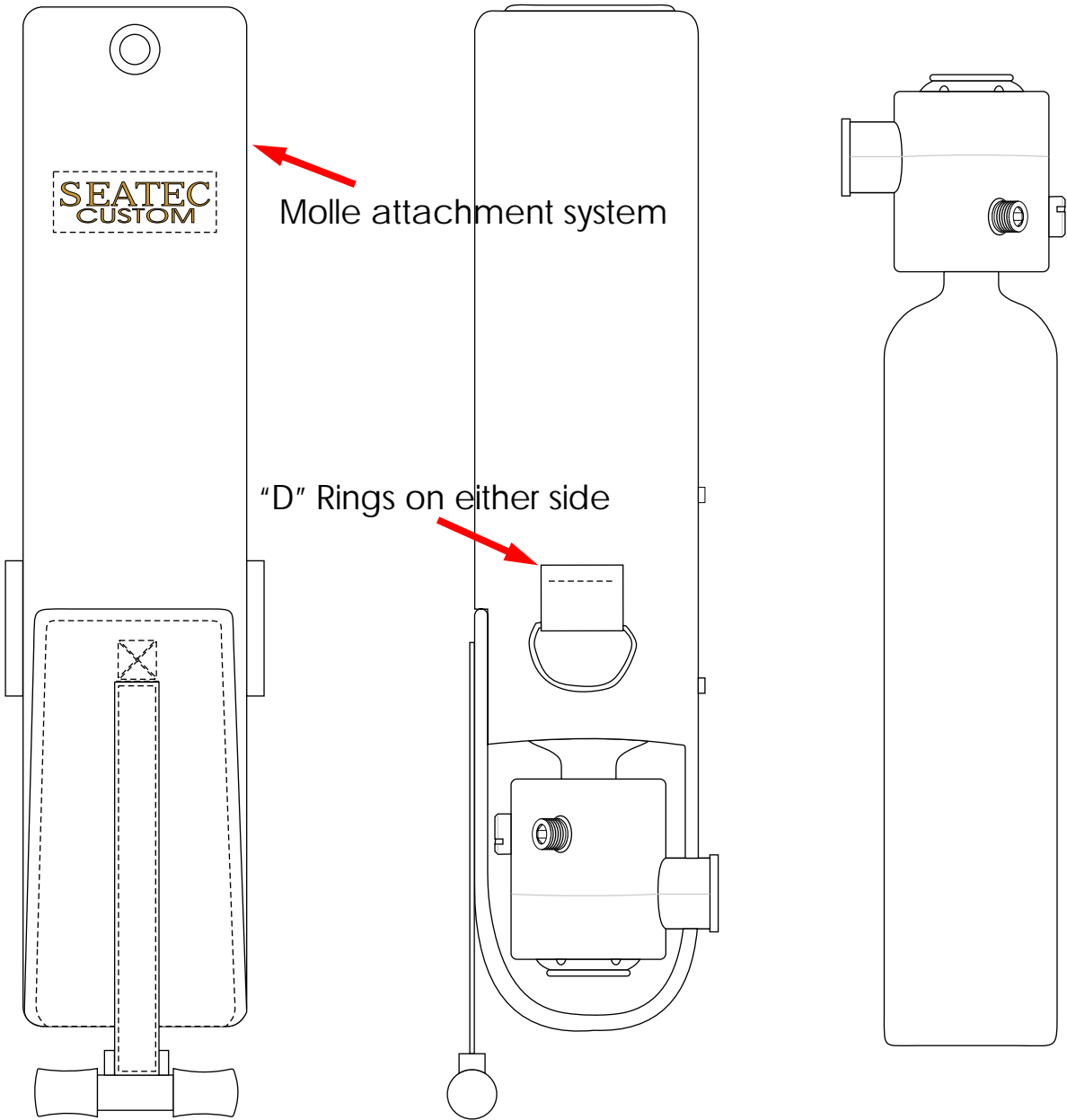
...MADE IN THE U.S.A.



QTY	CODE	PART OR IDENTIFICATION NO.	NONRECURRING IDENTIFICATION
REQ'D	IDENT		PARTS LIST
UNLESS OTHERWISE SPECIFIED, DIMENSIONS ARE IN INCHES. TOLERANCES ARE: DIMENALS ANGLES			
CONTRACT NO. U.S. NAVY APPROVED			
APPROVALS		DATE	
DESIGNED BY	HIRSCIGNO	12-5-97	
CHECKED BY		12-5-97	
MATERIAL 100 DENIER CORDURA NYLON MARINE QUALITY & REU			
FINISH BLACK; EXCEPT AS NOTED			
REDRAWN & REVISED FOR CLARITY FROM BCV 1972 7/1002 & SUNFISH 1981 7/1040			
SIZE	CODE IDENT NO.	DRAWING NO.	PATENTED
C	41WHSE5	1040	BREV
SCALE: NONE			SHEET: 1 OF 3
SUNFISH ~ FRONT MOUNT MILITARY & PROFESSIONAL MODEL			
DO NOT SCALE DRAWING			
NEXT ASSY/ USED ON			
APPLICATION			

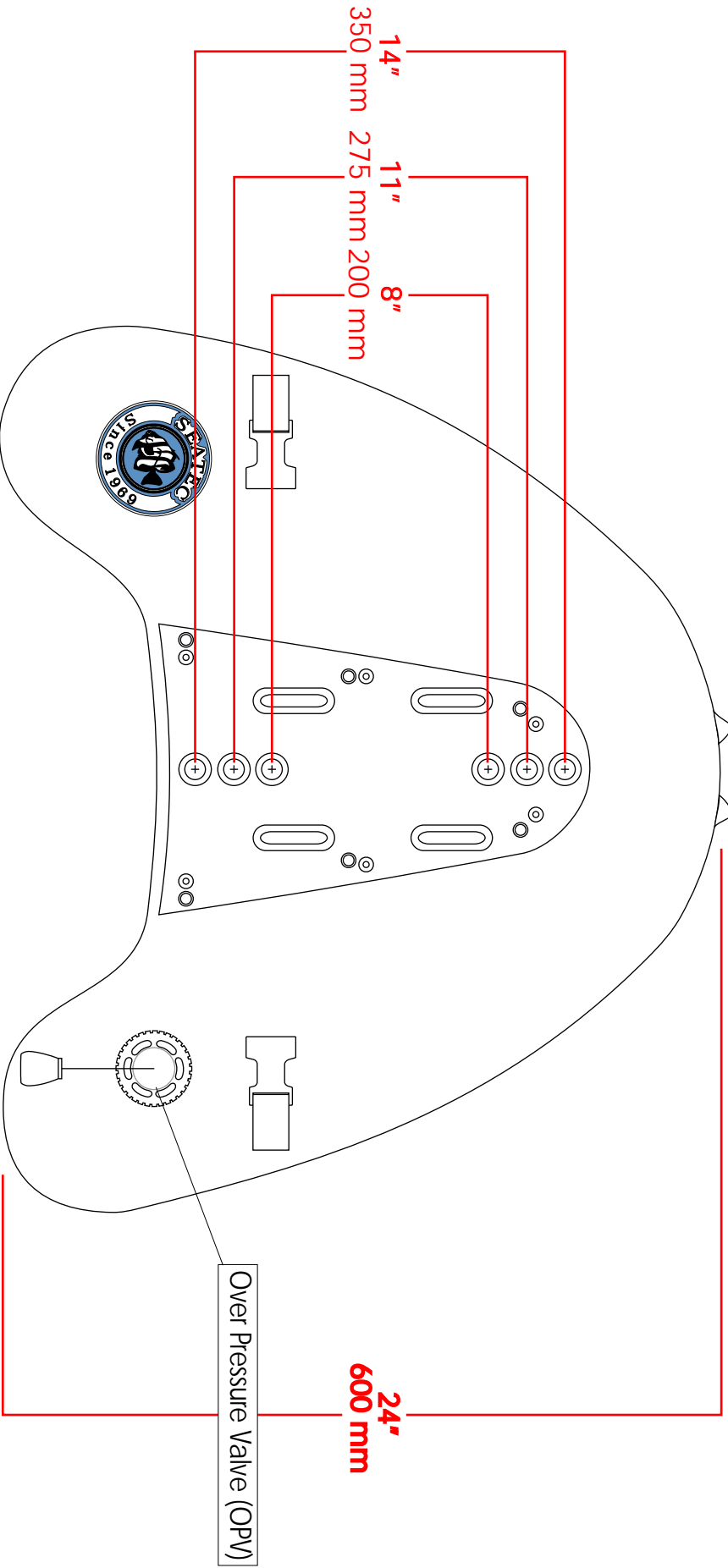
- 32
- 36
- 1
- 3
- 2
- 5
- 6
- 7
- 9 2 PLCS
- 11
- 25 2 REC'D
- 25
- 4 2 REC'D
- 4

# Spare-Air Quick Dump Pouch w/ Quick Dump Handle



# Seahorse Deluxe

Carry handle



## SEAHORSE DELUXE

3 in 1 BACK INFLATION UNIT/Harness System

Designed to eliminate up-front bulk. Perfect for use with our Thermotec Drysuit. Outer bag is fashioned from 1000 PC Condura, while inner bag is made of puncture resistant urethane. Mesh panels for rapid draining. Perfect for double tank.

Seahorse Deluxe single: 45 lb. lift capacity.  
Seahorse Deluxe double: 90 lb. lift capacity.

# Stiff Shield Pack (Variable System)

Single direction snaps  
for mounting of  
various pouches.

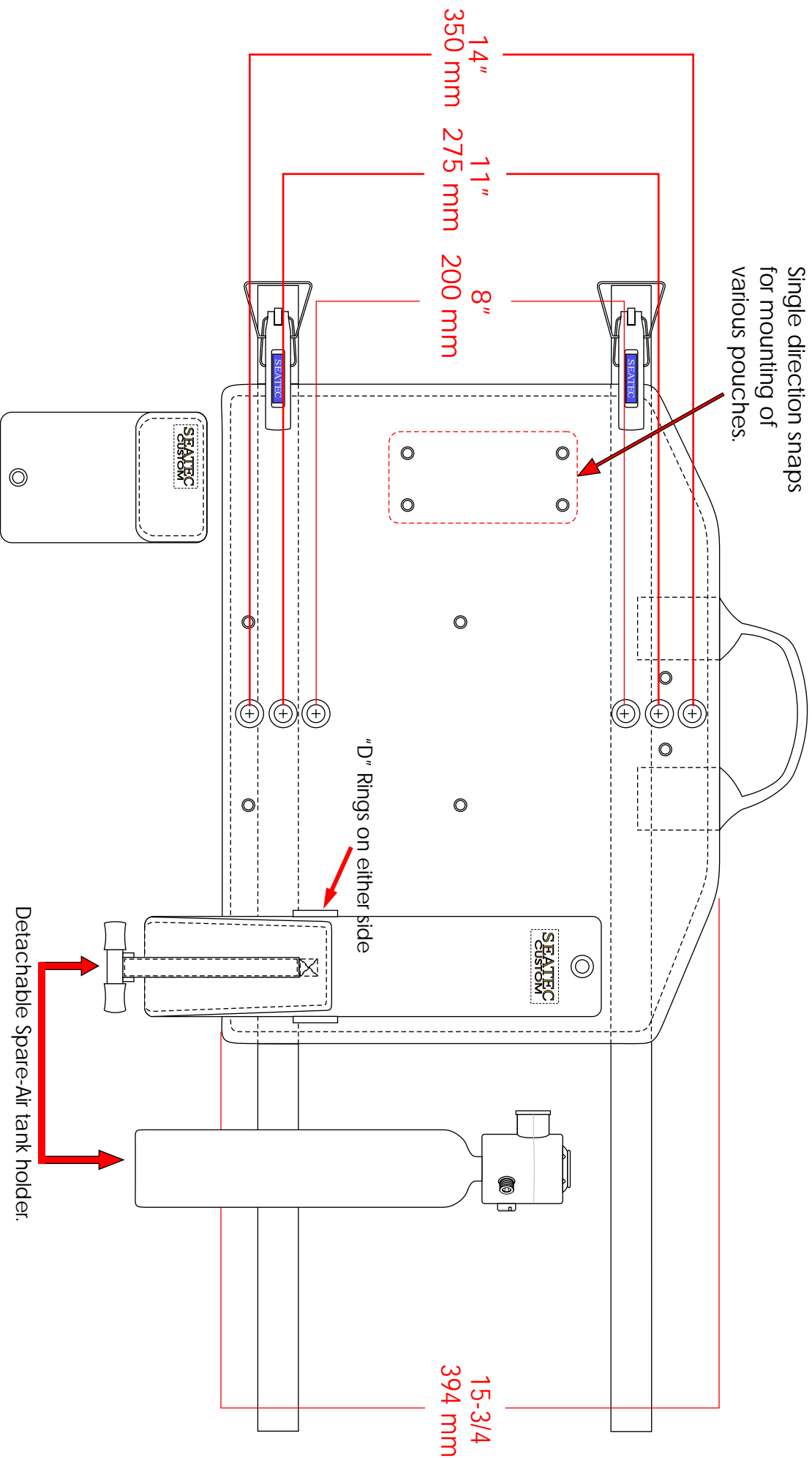
14" 350 mm  
11" 275 mm  
8" 200 mm

15-3/4" 394 mm

"D" Rings on either side

Detachable Spare-Air tank holder.

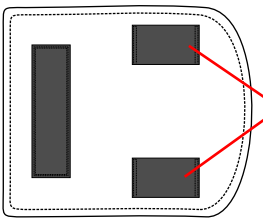
Detachable 5lb size extra pockets for various uses.



**PATENT PENDING**

# Interchangeable pocket system

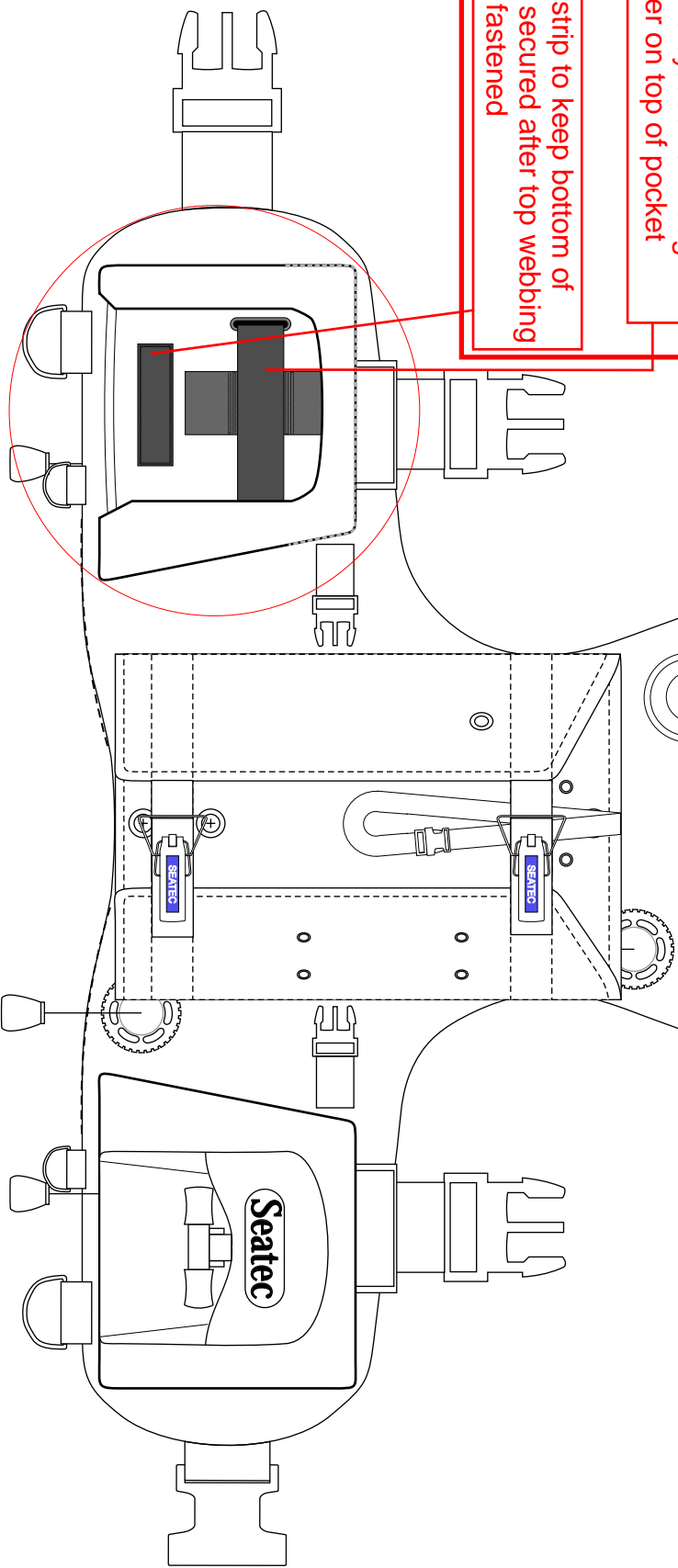
Webbing loops for webbing strip on B.C.



\*Back of pockets

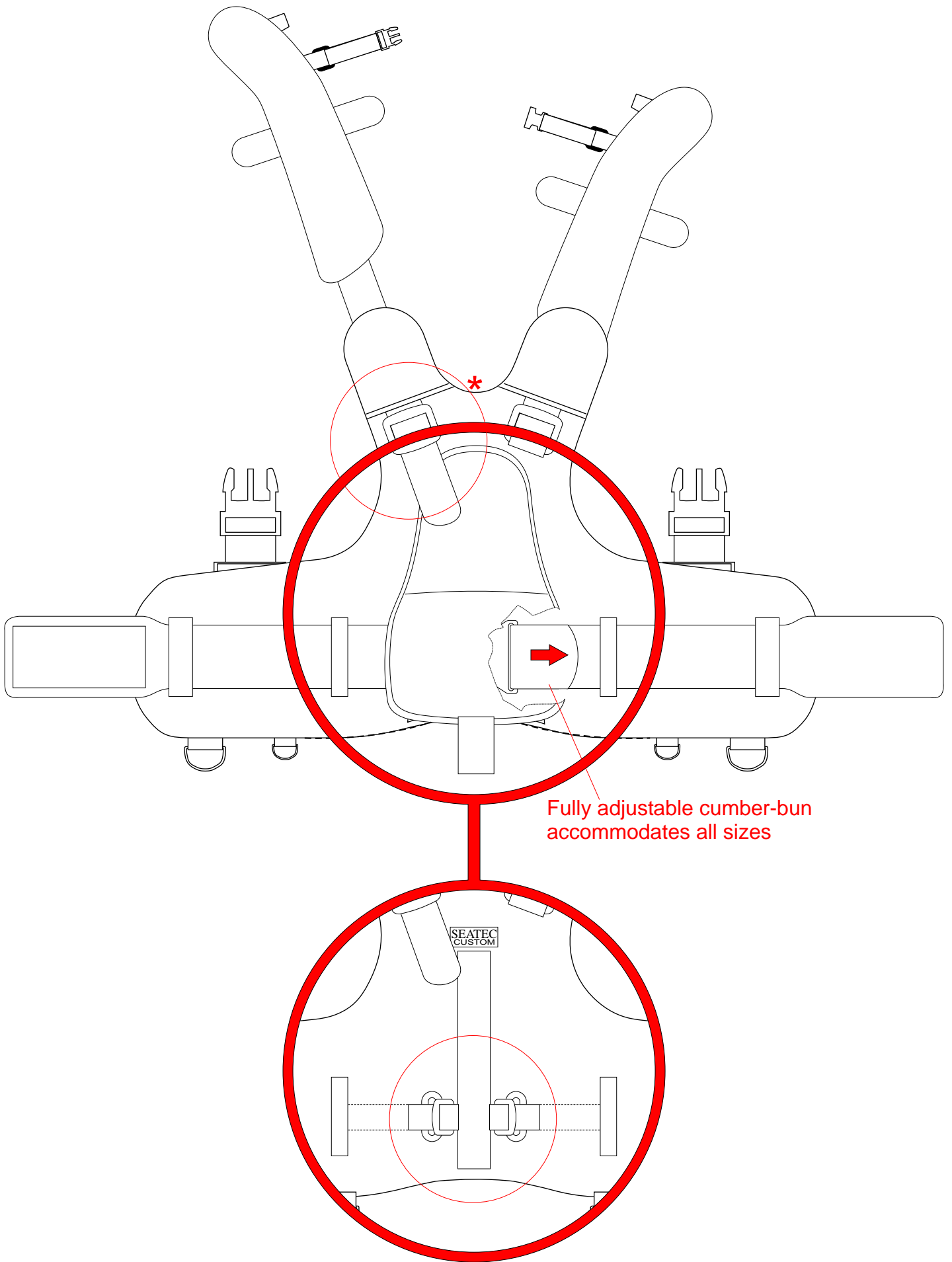
Webbing strip to fit through loops on back of pocket and secure by buckle through zipper on top of pocket

Velcro strip to keep bottom of pocket secured after top webbing strip is fastened



**Adjustable  
shoulder straps  
\*see reverse**





Fully adjustable cumber-bun accommodates all sizes

\*B.C. Retraction system

Utilizes the low bulk, open shoulder design of our Diamond Manta series-yet in a rugged 1 size fits all harness system jacket. Constructed of our heavy duty 1000 Denier Cordura nylon on the outside, and smooth 400 Denier nylon on the inside. Ideal for economical use, yet complete with all the necessary features for tactical divers. Padded shoulder area with quick release, interchangeable shoulder straps. Comes standard without Inflation, designed as a variable mounting system. Velcro closed, padded comfort belt. Hard shell ~~backpack and exclusive~~

## Deluxe Pro Harness Jacket

